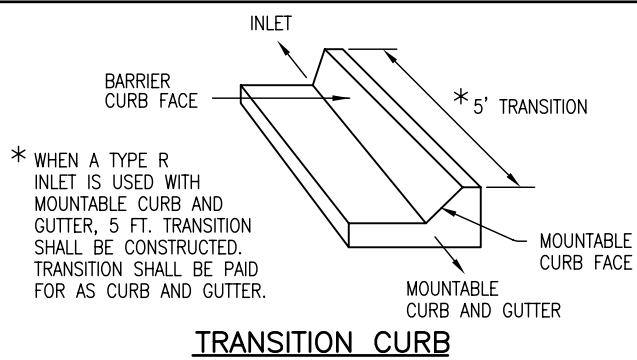
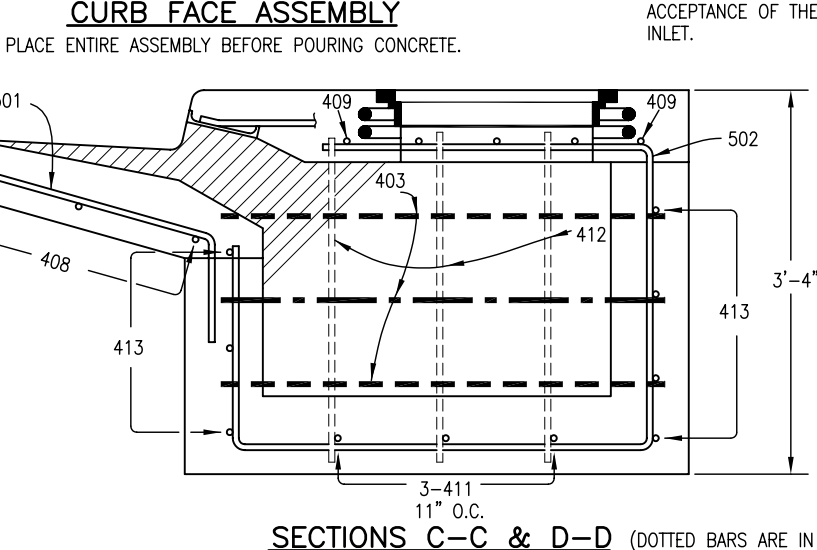
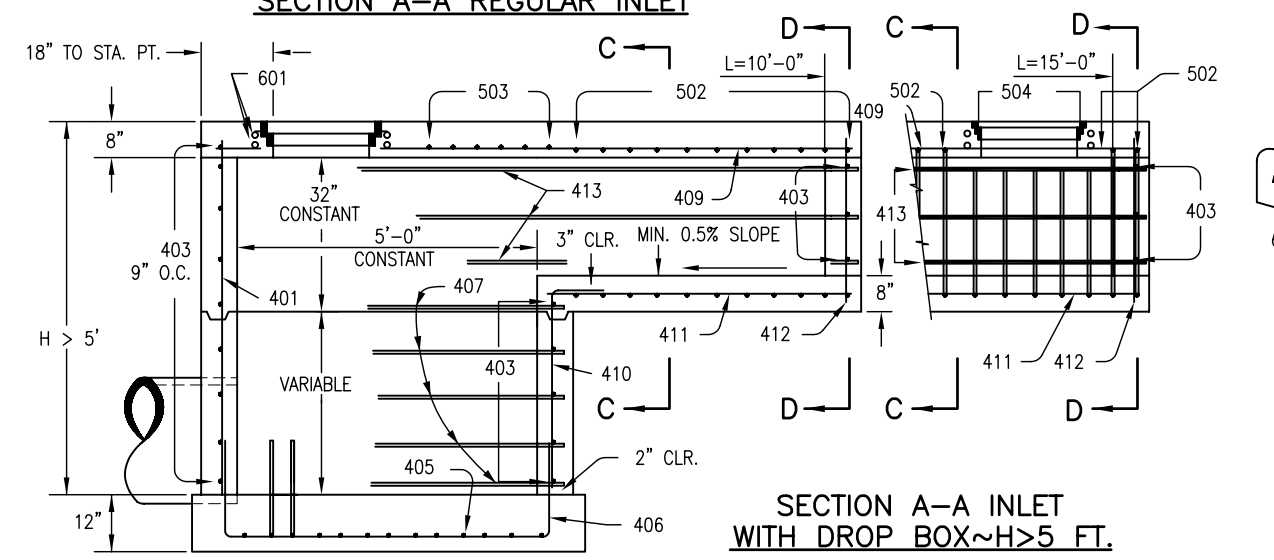
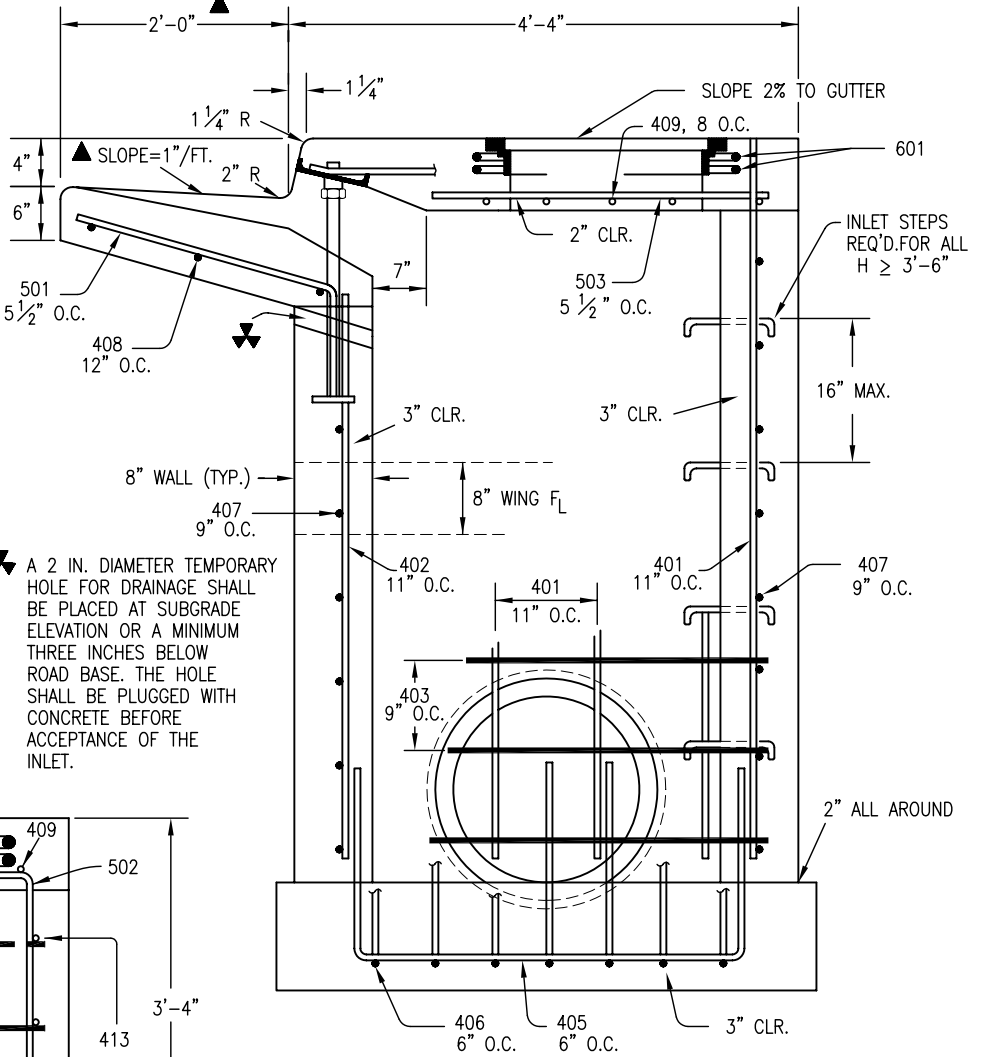
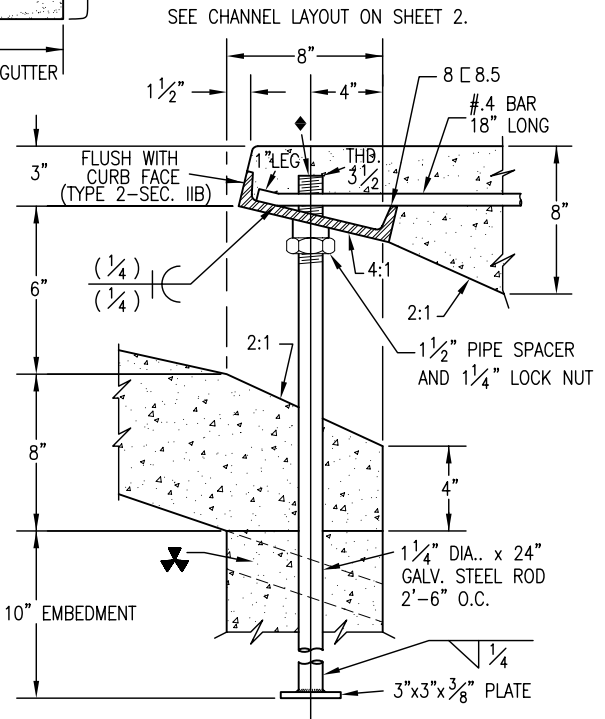
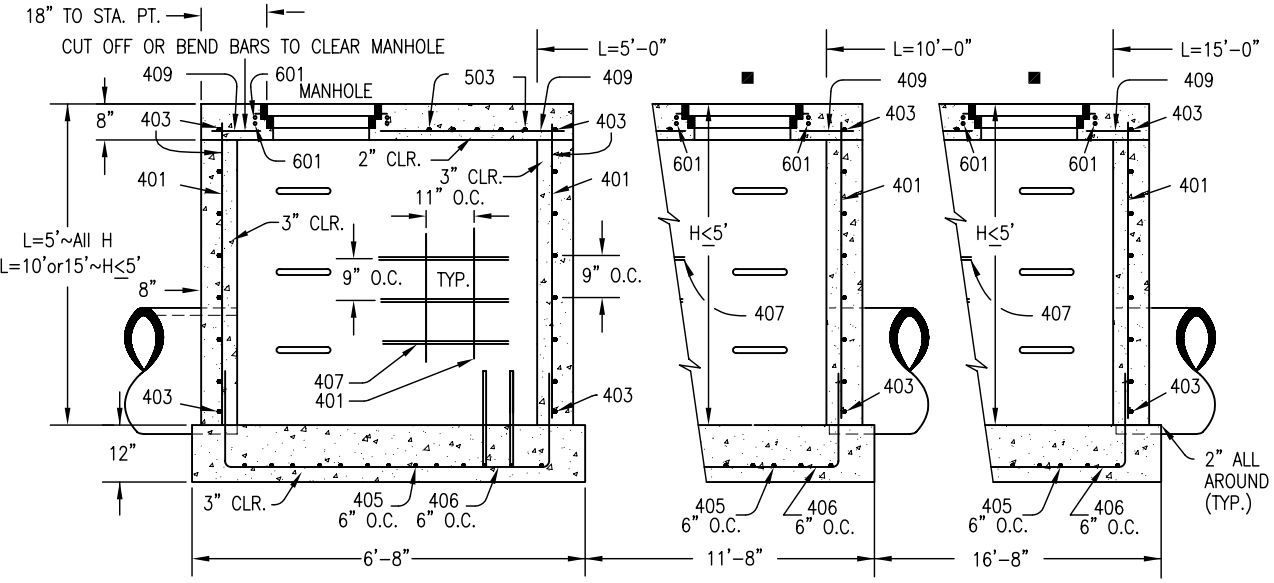


★ FOR LENGTH (L) GREATER THAN 5 FT. PROVIDE MAINTENANCE ACCESS AT BOTH ENDS.

■ ADDITIONAL MANHOLE RING AND COVER REQUIRED WHEN L=10 FT. OR MORE. CUT REINFORCEMENT BAR ACCORDINGLY.



GENERAL NOTES:
SEE SHEET 2.



NOTE: MANHOLE RING AND COVER, STATION POINT AND OUTFLOW PIPE SHALL BE LOCATED AT THE SAME END OF THE INLET.

Computer File Information	
Creation Date: 07/04/06	Initials: SJR
Last Modification Date: 07/04/06	Initials: LTA
Full Path: www.dot.state.co.us/DesignSupport/	
Drawing File Name: 6040120102.dwg	
CAD Ver.: MicroStation V8 Scale: Not to Scale Units: English	

Sheet Revisions	
Date:	Comments
(R-X)	
(R-X)	
(R-X)	
(R-X)	

Colorado Department of Transportation

4201 East Arkansas Avenue
Denver, Colorado 80222
Phone: (303) 757-9083
Fax: (303) 757-9820

Project Development Branch SRJ/LTA

CURB INLET TYPE R

Issued By: Project Development Branch on July 04, 2006

STANDARD PLAN NO.

M-604-12

Sheet No. 1 of 2